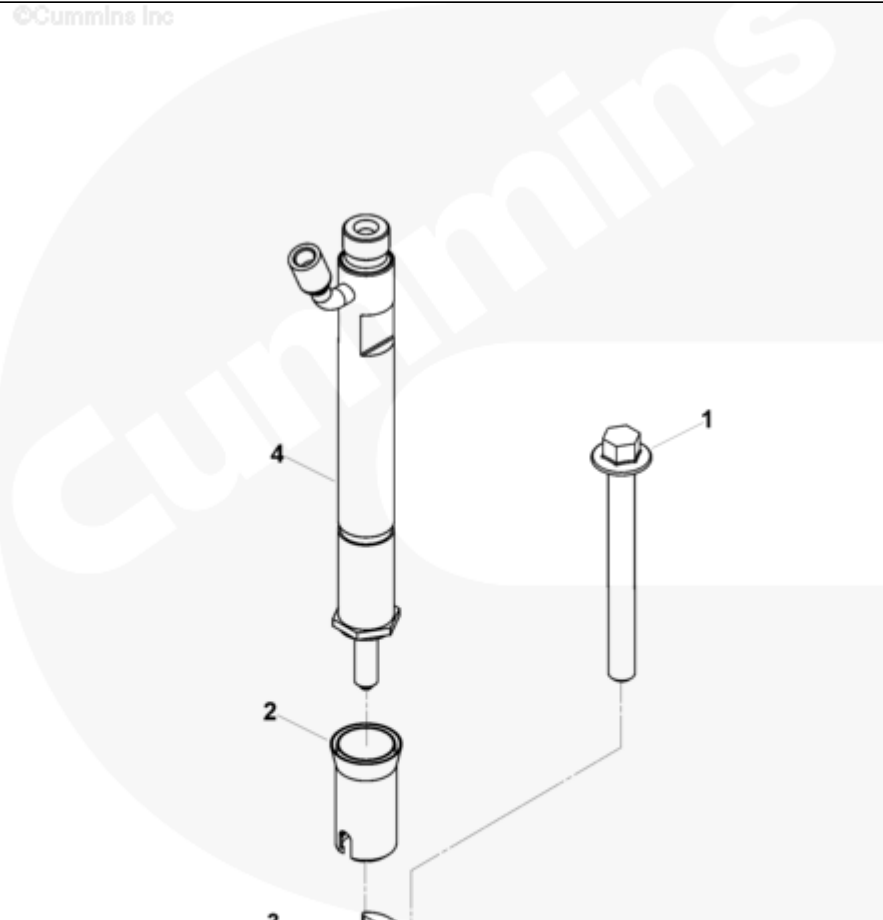




## Parts Catalog - Option Detail

Electronic Parts Catalog - Option Detail				
Option	Group	Graphic	Film Card	Date
PP2664-01	06.01	pp975gq	Z	10-AUG-05
<b>Engines</b>	6C8.3, C GAS PLUS CM556, G8.3, G8.3 CM558, GTA8.3 CM558, ISC CM2150, ISC CM554, ISC CM850, ISC8.3 CM2250, ISC8.3 G CM2180 C101, ISL CM2150, ISL CM554, ISL CM850, ISL G CM2180, ISL8.9 CM2150 L110, ISL8.9 CM2880 L112, ISL9 CM2150 SN, ISL9 CM2250, ISL9 CM2350 L101, ISL9 CM2350 L111, ISLE4 CM850, L GAS PLUS CM556, L8.9, L8.9 L121, L8.9G CMOH2.0 L125B, L9 CM2350 L116B, L9 CM2350 L119B, L9 CM2350 L120C, L9 CM2350 L123B, L9.3 L105, L9.5 L117, L9N CM2380 L124B, QSC8.3 CM2250, QSC8.3 CM2880 C102, QSC8.3 CM554, QSC8.3 CM850(CM2850), QSL9 CM2250, QSL9 CM2250 L115, QSL9 CM2350 L102, QSL9 CM2350 L107, QSL9 CM2350 L118, QSL9 CM2350 L122, QSL9 CM554, QSL9 CM850(CM2850), QSL9 G CM558, QSL9 M CM2250 L106, QSL9.3 CM2880 L113			



pp975gq

SMALL | MEDIUM | LARGE

Cart	Ref No	Part Number	Part Description	Required	Remarks
View My Cart					
		PP2664-01	Fuel Injector		MR - INJECTOR, FUEL...(More)
					Performance Parts for:
					6CTAA8.3 Litre
					Engine Family: C Series
					Reference CPL#: 2664
					Certified By: None
					Cylinders: 6
					Exh Mfld Type: Dry
					Aspiration: Charged Air
					Cooled
					Engine Control System: MRE
					Fuel Pump Manufacturing /
					Model: Bosch P3000
					Catalytic Converter Required:
					No
					High Pressure Fuel Line ID
					(mm): 1.8
					Unique Characteristics: With
					Edge Filter Injectors
					Cylinder Head Valve Material:
					Premium
					Cyl Head Valve Inserts: No
					Valve Bridge Scalloping: No
					Required Cylinder Head Swirl:
					Low
					Camshaft Gear Material:
					Steel
					Required Lube Pump Flow (GPM)

					@ RPM): 27.5 at 2200
					Requires Graded Pistons: No
					Engine Design Phase: Current
					Product
					Base Turbo ID17: 3535749
					For Use With Electronic
					Governor Only
					Brazil May Use P/N 3934169
					Instead of 3935715
		3937231	Injector	6	
<input type="checkbox"/>	1	3902112	Hexagon Flange Head Cap Screw	1	M8 x 1.25 x 80
<input type="checkbox"/>	2	3909886	Injector Seal	1	
<input type="checkbox"/>	3	3910279	Injector Clamp	1	
	4	3930523	Injector	1	Sold In Higher Level Assy/Kit